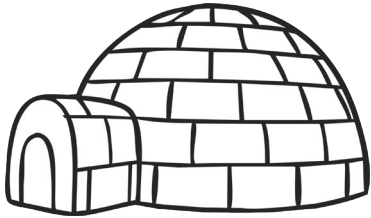


# i Phonics Activity Sheet

Find the things that start with the **i** sound and draw a circle around them.  
Trace the letter **i** where you see it. Colour the pictures.



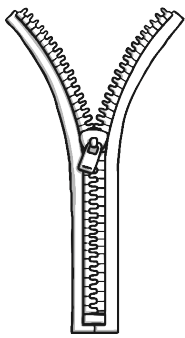
igloo



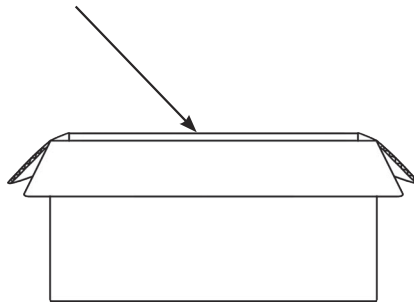
ball



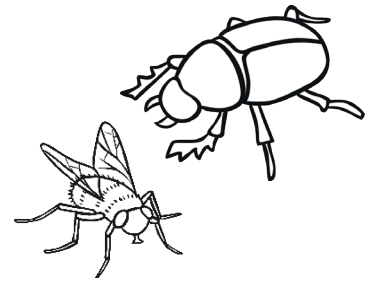
ink



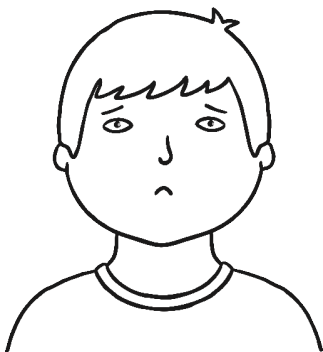
zip



in



insects



ill



ear



injection